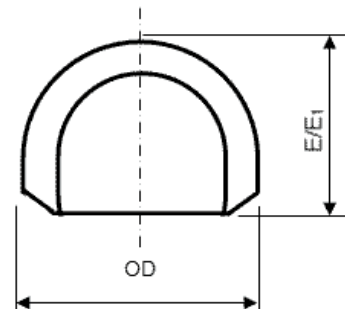
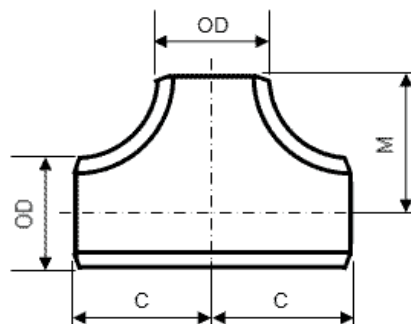




SERIE INDUSTRIAL SCH. 5S / 10S - DIMENSIONES SEGÚN ANSI-B 16.9

TEES Y CASQUETES

- Acero inoxidable AISI 304
- Acero Inoxidable AISI 316
- Acabado Mate
- ANSI-B 16.9



DIMENSIONES SEGÚN ANSI-B 16.9

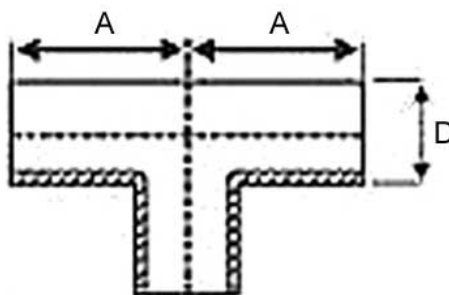
DN (Inch.)	Diámetro Externo OD		Distancia de Centro a Extremo				Distancia de Extremo a Extremo					
			Tees				Casquetes					
			C		M (1)		Distancia (2) E		Espesor de Pared Máximo para Distancia "E"		Distancia (3) E1	
			IN	MM	IN	MM	IN	MM			IN	MM
1/2	0.84	21.3	1	25	1	25	1	25	0.18	4.57	1	25
3/4	1.05	26.7	1.12	29	1.12	29	1	25	0.15	3.81	1	25
1	1.32	33.4	1.5	38	1.5	38	1.5	38	0.18	4.57	1.5	38
1 1/4	1.66	42.2	1.88	48	1.88	48	1.5	38	0.19	4.83	1.5	38
1 1/2	1.9	48.3	2.25	57	2.25	57	1.5	38	0.2	5.08	1.5	38
2	2.38	60.3	2.5	64	2.5	64	1.5	38	0.22	5.59	1.75	44
2 1/2	2.88	73	3	76	3	76	1.5	38	0.28	7.11	2	51
3	3.5	88.9	3.38	86	3.38	86	2	51	0.3	7.62	2.5	64
3 1/2	4	101.6	3.75	95	3.75	95	2.5	64	0.32	8.13	3	76
4	4.5	114.3	4.12	105	4.12	105	2.5	64	0.34	8.64	3	76
5	5.56	141.3	4.88	124	4.88	124	3	76	0.38	9.65	3.5	89
6	6.62	168.3	5.62	143	5.62	143	3.5	89	0.43	10.92	4	102
8	8.62	219.1	7	178	7	178	4	102	0.5	12.7	5	127
10	10.75	273	8.5	216	8.5	216	5	127	0.5	12.7	6	152



SERIE SANITARIA

TEES

- Acero inoxidable AISI 304
- Acero Inoxidable AISI 316
- Pulido Sanitario Interno y Externo



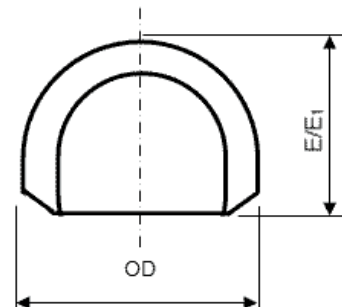
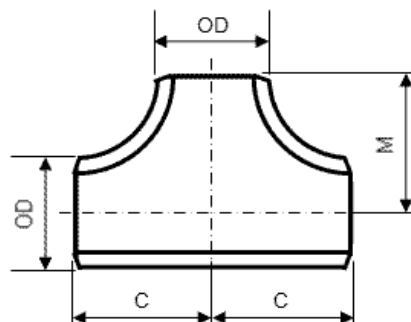
DN (Inch.)	D Ø Ext. (MM)	A (MM)
1/2"	12.7	...
3/4"	19.0	...
1"	25.4	46.1
1 1/4"	31.7	55.0
1 1/2"	38.1	60.3
2"	50.8	70.6
2 1/2"	63.5	80.7
3"	76.2	89.0
4"	101.6	114.3
5"	127.0	114.3
6"	152.4	133.0
8"	203.2	168.0
10"	254.0	248.0



ESPEORES DE PARED

TEES Y CASQUETES

- Acero inoxidable AISI 304
- Acero Inoxidable AISI 316
- Serie Sanitaria e Industrial



DN		Ø Ext.	PAREDES		
MM	IN		Sanitarias (MM)	Sch. 5S (MM)	Sch. 10S (MM)
15	1/2	21.3	1.25	1.65	2.11
20	3/4	26.7	1.25	1.65	2.11
25	1	33.4	1.25	1.65	2.77
32	1.1/4	42.2	1.25	1.65	2.77
40	1.1/2	48.3	1.25	1.65	2.77
50	2	60.3	1.50	1.65	2.77
65	2.1/2	73	1.50	2.11	3.05
80	3	88.9	1.50	2.11	3.05
90	3.1/2	101.6	1.50	2.11	3.05
100	4	114.3	2.00	2.11	3.05
125	5	141.3	2.00	2.77	3.40
150	6	168.3	2.00	2.77	3.40
200	8	219.1	3.00	2.77	3.76
250	10	273	3.00	3.40	4.19