

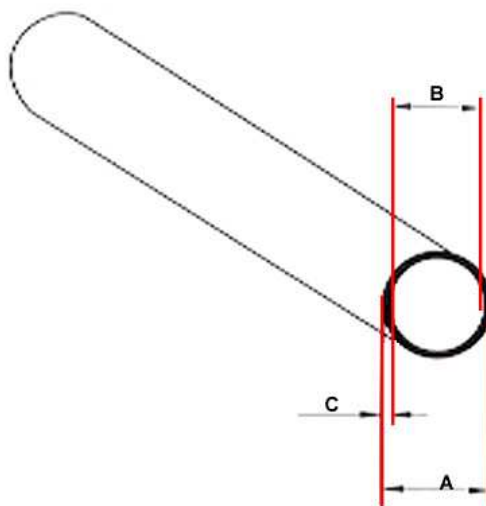


SERIE INDUSTRIAL SCH. 5S / 10S

DIMENSIONES SEGÚN ANSI-B 36.19
ASTM A-269 / A-312

TUBOS CON COSTURA

- Acero inoxidable AISI 304
- Con costura
- Normas ASTM A-269 / A-312
- ANSI-B 36.19
- Acabamiento mate



DN (Inch.)	SCHEDULE 5S				SCHEDULE 10S			
	Ø Ext. A (mm.)	Ø Int. B (mm.)	Espesor Pared C (mm.)	Kg. / Metro	Ø Ext. A (mm.)	Ø Int. B (mm.)	Espesor Pared C (mm.)	Peso Kg. / Metro
1/2"	21.30	18.03	1.65	0.80	21.30	17.12	2.11	1.00
3/4"	26.70	23.37	1.65	1.03	26.70	22.45	2.11	1.28
1"	33.40	30.10	1.65	1.30	33.40	27.86	2.77	2.08
1,1/2"	48.30	44.96	1.65	1.91	48.30	42.72	2.77	3.11
2"	60.30	57.02	1.65	2.40	60.30	54.78	2.77	3.93
3"	88.90	84.68	2.11	4.51	88.90	82.80	3.05	6.44
4"	114.30	110.08	2.11	5.83	114.30	108.20	3.05	8.32

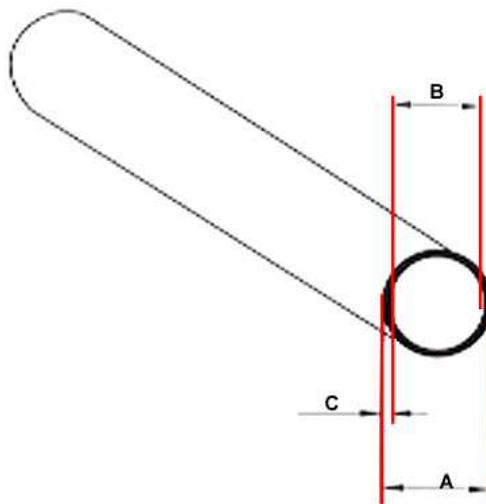


SERIE SANITARIA

Con Pulido Interno y Externo

TUBOS CON COSTURA

- Acero inoxidable AISI 304
- Acero Inoxidable AISI 316
- Pulido Sanitario Interno y Externo



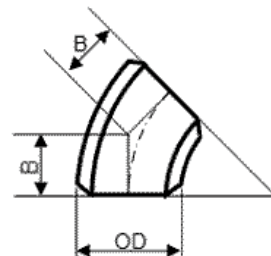
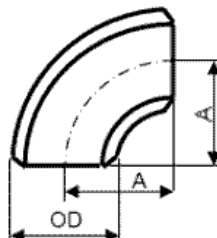
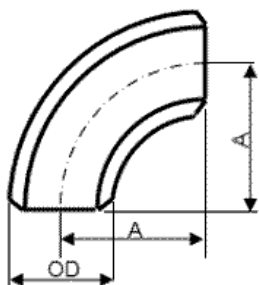
DN (Inch.)	Ø Ext. A (mm.)	Espesor Pared C (mm.)	Peso Kg. / Metro
1/2"	12.70	1.25	0.357
3/4"	19.00	1.25	0.555
1"	25.40	1.25	0.756
1,1/2"	38.00	1.25	1.280
2"	50.80	1.25	1.570
2.1/2"	63.50	1.5	2.337
3"	76.20	1.5	2.816
4"	101.80	1.5	3.759



SERIE INDUSTRIAL SCH. 5S / 10S - DIMENSIONES SEGÚN ANSI-B 16.9

CURVAS 90° Y 45°

- Acero inoxidable AISI 304
- Acero Inoxidable AISI 316
- Acabado Mate
- ANSI-B 16.9



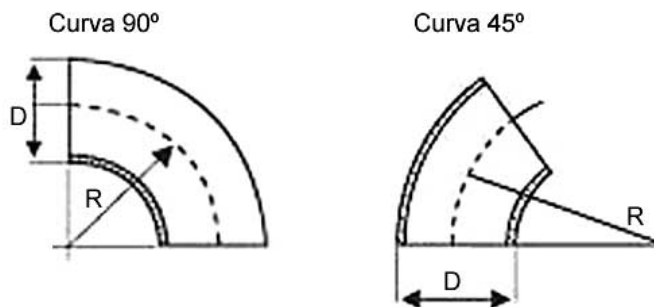
DN (Inch.)	Ø Ext.		Centro a Extremo							
			Curvas de 90° - A				Curvas de 45° - B			
			Radio Largo		Radio Corto		Radio Largo		Radio Corto	
			IN	MM	IN	MM	IN	MM	IN	MM
1/2	0.84	21.3	1.5	38	-	-	0.62	16	-	-
3/4	1.05	26.7	1.12	29	-	-	0.44	11	-	-
1	1.32	33.4	1.5	38	1	25	0.88	22	0.41	10
1 1/4	1.66	42.2	1.88	48	1.25	32	1	25	0.52	13
1 1/2	1.9	48.3	2.25	57	1.5	38	1.12	29	0.62	16
2	2.38	60.3	3	76	2	51	1.38	35	0.83	21
2 1/2	2.88	73.0	3.75	95	2.5	64	1.75	44	1.04	26
3	3.5	88.9	4.5	114	3	76	2	51	1.24	32
3 1/2	4	101.6	5.25	133	3.5	89	2.25	57	1.45	37
4	4.5	114.3	6	152	4	102	2.5	64	1.66	42
5	5.56	141.3	7.5	190	5	127	3.12	79	2.07	53
6	6.62	168.3	9	229	6	152	3.75	95	2.5	63
8	8.62	219.1	12	305	8	203	5	127	3.31	84
10	10.75	273.0	15	381	10	254	6.25	159	4.14	105



SERIE SANITARIA

CURVAS 90° Y 45°

- Acero inoxidable AISI 304
- Acero Inoxidable AISI 316
- Pulido Sanitario Interno y Externo



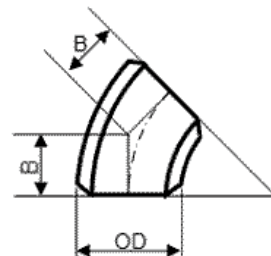
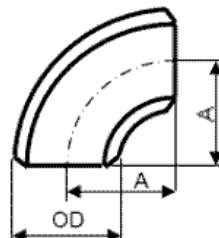
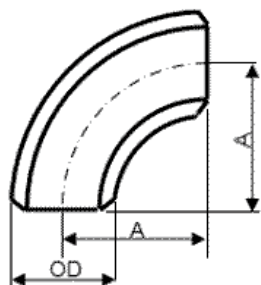
DN (Inch.)	Curvas de 90°		Curvas de 45°	
	D Ø Ext. (MM)	R (MM)	D Ø Ext. (MM)	R (MM)
1/2"	12.7	...	12.7	...
3/4"	19.0	...	19.0	...
1"	25.4	38.10	25.4	38.10
1 1/4"	31.7	47.55	31.7	47.55
1 1/2"	38.1	57.15	38.1	57.15
2"	50.8	76.20	50.8	76.20
2 1/2"	63.5	95.25	63.5	95.25
3"	76.2	114.30	76.2	114.30
4"	101.6	152.40	101.6	152.40
5"	127.0	190.50	127.0	190.50
6"	152.4	228.60	152.4	228.60
8"	203.2	304.80	203.2	304.80
10"	254.0	381.00	254.0	381.00



ESPEORES DE PARED

CURVAS 90° Y 45°

- Acero inoxidable AISI 304
- Acero Inoxidable AISI 316
- Serie Sanitaria e Industrial



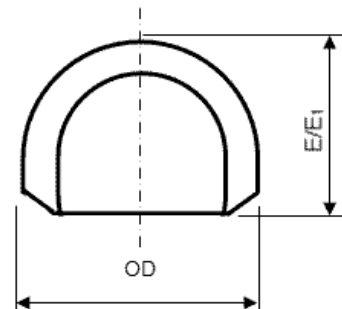
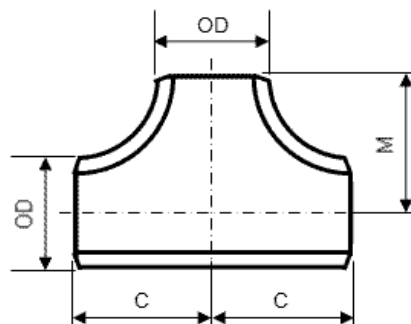
DN		Ø Ext.	PAREDES		
MM	IN		Sanitarias (MM)	Sch. 5S (MM)	Sch. 10S (MM)
15	1/2	21.3	1.25	1.65	2.11
20	3/4	26.7	1.25	1.65	2.11
25	1	33.4	1.25	1.65	2.77
32	1.1/4	42.2	1.25	1.65	2.77
40	1.1/2	48.3	1.25	1.65	2.77
50	2	60.3	1.50	1.65	2.77
65	2.1/2	73	1.50	2.11	3.05
80	3	88.9	1.50	2.11	3.05
90	3.1/2	101.6	1.50	2.11	3.05
100	4	114.3	2.00	2.11	3.05
125	5	141.3	2.00	2.77	3.40
150	6	168.3	2.00	2.77	3.40
200	8	219.1	3.00	2.77	3.76
250	10	273	3.00	3.40	4.19



SERIE INDUSTRIAL SCH. 5S / 10S - DIMENSIONES SEGÚN ANSI-B 16.9

TEES Y CASQUETES

- Acero inoxidable AISI 304
- Acero Inoxidable AISI 316
- Acabado Mate
- ANSI-B 16.9



DIMENSIONES SEGÚN ANSI-B 16.9

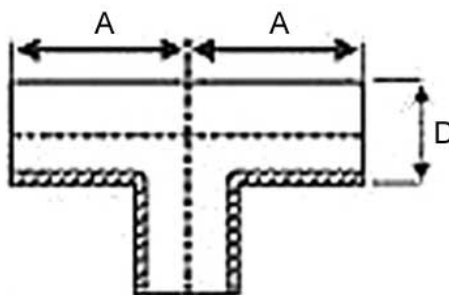
DN (Inch.)	Diámetro Externo OD		Distancia de Centro a Extremo				Distancia de Extremo a Extremo					
			Tees				Casquetes					
			C		M (1)		Distancia (2)		Espesor de Pared Máximo para Distancia "E"	Distancia (3)		
			IN	MM	IN	MM	IN	MM		E	IN	MM
1/2	0.84	21.3	1	25	1	25	1	25	0.18	4.57	1	25
3/4	1.05	26.7	1.12	29	1.12	29	1	25	0.15	3.81	1	25
1	1.32	33.4	1.5	38	1.5	38	1.5	38	0.18	4.57	1.5	38
1 1/4	1.66	42.2	1.88	48	1.88	48	1.5	38	0.19	4.83	1.5	38
1 1/2	1.9	48.3	2.25	57	2.25	57	1.5	38	0.2	5.08	1.5	38
2	2.38	60.3	2.5	64	2.5	64	1.5	38	0.22	5.59	1.75	44
2 1/2	2.88	73	3	76	3	76	1.5	38	0.28	7.11	2	51
3	3.5	88.9	3.38	86	3.38	86	2	51	0.3	7.62	2.5	64
3 1/2	4	101.6	3.75	95	3.75	95	2.5	64	0.32	8.13	3	76
4	4.5	114.3	4.12	105	4.12	105	2.5	64	0.34	8.64	3	76
5	5.56	141.3	4.88	124	4.88	124	3	76	0.38	9.65	3.5	89
6	6.62	168.3	5.62	143	5.62	143	3.5	89	0.43	10.92	4	102
8	8.62	219.1	7	178	7	178	4	102	0.5	12.7	5	127
10	10.75	273	8.5	216	8.5	216	5	127	0.5	12.7	6	152



SERIE SANITARIA

TEES

- Acero inoxidable AISI 304
- Acero Inoxidable AISI 316
- Pulido Sanitario Interno y Externo



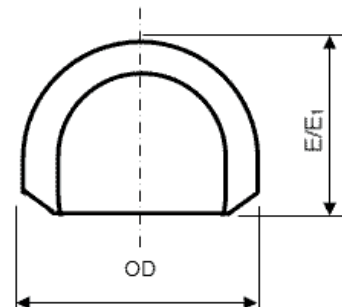
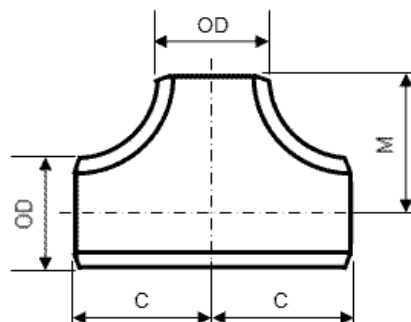
DN (Inch.)	D Ø Ext. (MM)	A (MM)
1/2"	12.7	...
3/4"	19.0	...
1"	25.4	46.1
1 1/4"	31.7	55.0
1 1/2"	38.1	60.3
2"	50.8	70.6
2 1/2"	63.5	80.7
3"	76.2	89.0
4"	101.6	114.3
5"	127.0	114.3
6"	152.4	133.0
8"	203.2	168.0
10"	254.0	248.0



ESPEORES DE PARED

TEES Y CASQUETES

- Acero inoxidable AISI 304
- Acero Inoxidable AISI 316
- Serie Sanitaria e Industrial



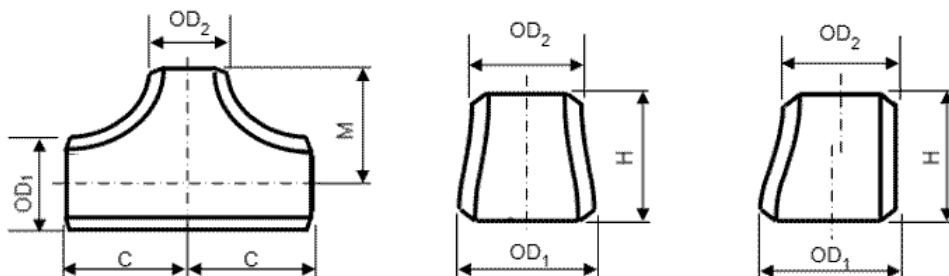
DN		Ø Ext.	PAREDES		
MM	IN		Sanitarias (MM)	Sch. 5S (MM)	Sch. 10S (MM)
15	1/2	21.3	1.25	1.65	2.11
20	3/4	26.7	1.25	1.65	2.11
25	1	33.4	1.25	1.65	2.77
32	1.1/4	42.2	1.25	1.65	2.77
40	1.1/2	48.3	1.25	1.65	2.77
50	2	60.3	1.50	1.65	2.77
65	2.1/2	73	1.50	2.11	3.05
80	3	88.9	1.50	2.11	3.05
90	3.1/2	101.6	1.50	2.11	3.05
100	4	114.3	2.00	2.11	3.05
125	5	141.3	2.00	2.77	3.40
150	6	168.3	2.00	2.77	3.40
200	8	219.1	3.00	2.77	3.76
250	10	273	3.00	3.40	4.19



SERIE INDUSTRIAL SCH. 5S / 10S - DIMENSIONES SEGÚN ANSI-B 16.9

TEES DE REDUCCIÓN Y REDUCCIONES EXCÉNTRICAS Y CONCÉNTRICAS

- Acero inoxidable AISI 304
- Acero Inoxidable AISI 316
- Acabado Mate
- ANSI-B 16.9



DN (Inch.)	Diámetros Externos				Distancia Centro a Extremo				Distancia Extremo a Extremo	
	OD1		OD2		C		M		H	
	IN	MM	IN	MM	IN	MM	IN	MM	IN	MM
3/4x1/2	1.05	26.70	0.84	21.30	1.12	29.00	1.12	29.00	1.50	38.00
1x3/4	1.32	33.40	1.05	26.70	1.50	38.00	1.50	38.00	2.00	51.00
1x1/2	1.32	33.40	0.84	21.30	1.50	38.00	1.50	38.00	2.00	51.00
1 1/4x1	1.66	42.20	1.32	33.40	1.88	48.00	1.88	48.00	2.00	51.00
1 1/4x3/4	1.66	42.20	1.05	26.70	1.88	48.00	1.88	48.00	2.00	51.00
1 1/4x1/2	1.66	42.20	0.84	21.30	1.88	48.00	1.88	48.00	2.00	51.00
1 1/2x1 1/4	1.90	48.30	1.66	42.20	2.25	57.00	2.25	57.00	2.50	64.00
1 1/2x1	1.90	48.30	1.32	33.40	2.25	57.00	2.25	57.00	2.50	64.00
1 1/2x3/4	1.90	48.30	1.05	26.70	2.25	57.00	2.25	57.00	2.50	64.00
1 1/2x1/2	1.90	48.30	0.84	21.30	2.25	57.00	2.25	57.00	2.50	64.00
2x1 1/2	2.38	60.30	1.90	48.30	2.50	64.00	2.38	60.00	3.00	76.00
2x1 1/4	2.38	60.30	1.66	42.20	2.50	64.00	2.25	57.00	3.00	76.00
2x1	2.38	60.30	1.32	33.40	2.50	64.00	2.00	51.00	3.00	76.00
2x3/4	2.38	60.30	1.05	26.70	2.50	64.00	1.75	44.00	3.00	76.00
2x1/2	2.38	60.30	0.84	21.30	2.50	64.00	*	*	3.00	76.00
2 1/2x2	2.88	73.00	2.38	60.30	3.00	76.00	2.75	70.00	3.50	89.00
2 1/2x1 1/2	2.88	73.00	1.90	48.30	3.00	76.00	2.62	67.00	3.50	89.00
2 1/2x1 1/4	2.88	73.00	1.66	42.20	3.00	76.00	2.50	64.00	3.50	89.00
2 1/2x1	2.88	73.00	1.32	33.40	3.00	76.00	2.25	57.00	3.50	89.00
2 1/2x3/4	2.88	73.00	1.05	26.70	3.00	76.00	*	*	3.50	89.00
2 1/2x1/2	2.88	73.00	0.84	21.30	3.00	76.00	*	*	3.50	89.00
3x2 1/2	3.50	88.90	2.88	73.00	3.38	86.00	3.25	83.00	3.50	89.00
3x2	3.50	88.90	2.38	60.30	3.38	86.00	3.00	76.00	3.50	89.00
3x1 1/2	3.50	88.90	1.90	48.30	3.38	86.00	2.88	73.00	3.50	89.00
3x1 1/4	3.50	88.90	1.66	42.20	3.38	86.00	2.75	70.00	3.50	89.00
3x1	3.50	88.90	1.32	33.40	3.38	86.00	*	*	3.50	89.00
3x3/4	3.50	88.90	1.05	26.70	3.38	86.00	*	*	3.50	89.00
3x1 1/2	3.50	88.90	1.90	48.30	3.38	86.00	2.88	73.00	3.50	89.00



SERIE INDUSTRIAL SCH. 5S / 10S - DIMENSIONES SEGÚN ANSI-B 16.9

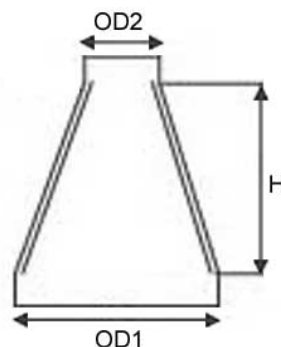
DN (Inch.)	Diámetros Externos				Distancia Centro a Extremo				Distancia Extremo a Extremo	
	OD1		OD2		C		M		H	
	IN	MM	IN	MM	IN	MM	IN	MM	IN	MM
3x1 1/4	3.50	88.90	1.66	42.20	3.38	86.00	2.75	70.00	3.50	89.00
3x1	3.50	88.90	1.32	33.40	3.38	86.00	*	*	3.50	89.00
3x3/4	3.50	88.90	1.05	26.70	3.38	86.00	*	*	3.50	89.00
3x1/2	3.50	88.90	0.84	21.30	3.38	86.00	*	*	3.50	89.00
3 1/2x3	4.00	101.60	3.50	88.90	3.75	95.00	3.62	92.00	4.00	102.00
3 1/2x2 1/2	4.00	101.60	2.88	73.00	3.75	95.00	3.50	89.00	4.00	102.00
3 1/2x2	4.00	101.60	2.38	60.30	3.75	95.00	3.25	83.00	4.00	102.00
3 1/2x1 1/2	4.00	101.60	1.90	48.30	3.75	95.00	3.12	79.00	4.00	102.00
3 1/2x1 1/4	4.00	101.60	1.66	42.20	3.75	95.00	*	*	4.00	102.00
4x3 1/2	4.50	114.30	4.00	101.60	4.12	105.00	4.00	102.00	4.00	102.00
4x3	4.50	114.30	3.50	88.90	4.12	105.00	3.88	98.00	4.00	102.00
4x2 1/2	4.50	114.30	2.88	73.00	4.12	105.00	3.75	95.00	4.00	102.00
4x2	4.50	114.30	2.38	60.30	4.12	105.00	3.50	89.00	4.00	102.00
4x1 1/2	4.50	114.30	1.90	48.30	4.12	105.00	3.38	86.00	4.00	102.00
4x1 1/4	4.50	114.30	1.66	42.20	4.12	105.00	*	*	4.00	102.00
4x1	4.50	114.30	1.32	33.40	4.12	105.00	*	*	4.00	102.00
5x4	5.56	141.30	4.50	114.30	4.88	124.00	4.62	117.00	5.00	127.00
5x3 1/2	5.56	141.30	4.00	101.60	4.88	124.00	4.50	114.00	5.00	127.00
5x3	5.56	141.30	3.50	88.90	4.88	124.00	4.38	111.00	5.00	127.00
5x2 1/2	5.56	141.30	2.88	73.00	4.88	124.00	4.25	108.00	5.00	127.00
5x2	5.56	141.30	2.38	60.30	4.88	124.00	4.12	105.00	5.00	127.00
5x1 1/2	5.56	141.30	1.90	48.30	4.88	124.00	*	*	5.00	127.00
5x1 1/4	5.56	141.30	1.66	42.20	4.88	124.00	*	*	5.00	127.00
6x5	6.62	168.30	5.56	141.30	5.62	143.00	5.38	137.00	5.50	140.00
6x4	6.62	168.30	4.50	114.30	5.62	143.00	5.12	130.00	5.50	140.00
6x3 1/2	6.62	168.30	4.00	101.60	5.62	143.00	5.00	127.00	5.50	140.00
6x3	6.62	168.30	3.50	88.90	5.62	143.00	4.88	124.00	5.50	140.00
6x2 1/2	6.62	168.30	2.88	73.00	5.62	143.00	4.75	121.00	5.50	140.00
6x2	6.62	168.30	2.38	60.30	5.62	143.00	*	*	5.50	140.00
8x6	8.62	219.10	6.62	168.30	7.00	178.00	6.62	168.00	6.00	152.00
8x5	8.62	219.10	5.56	141.30	7.00	178.00	6.38	162.00	6.00	152.00
8x4	8.62	219.10	4.50	114.30	7.00	178.00	6.12	156.00	6.00	152.00
8x3 1/2	8.62	219.10	4.00	101.60	7.00	178.00	6.00	152.00	6.00	152.00
8x3	8.62	219.10	3.50	88.90	7.00	178.00	*	*	6.00	152.00
10x8	10.75	273.00	8.62	219.10	8.50	216.00	8.00	203.00	7.00	178.00
10x6	10.75	273.00	6.62	168.30	8.50	216.00	7.62	194.00	7.00	178.00
10x5	10.75	273.00	5.56	141.30	8.50	216.00	7.50	191.00	7.00	178.00
10x4	10.75	273.00	4.50	114.30	8.50	216.00	7.25	184.00	7.00	178.00
10x3	10.75	273.00	3.50	88.90	8.50	216.00	*	*	7.00	178.00



SERIE SANITARIA

**REDUCCIONES
EXCENTRICAS Y
CONCENTRICAS**

- Acero inoxidable AISI 304
- Acero Inoxidable AISI 316
- Pulido Sanitario Interno y Externo



DN (Inch.)	Diámetros Externos		Distancia Extremo a Extremo
	OD1 (MM)	OD2 (MM)	H
3/4" x 1/2"	19.0	12.7	...
1" x 3/4"	25.4	19.0	...
1 1/4" x 1"	31.7	25.4	25.4
1 1/2" x 1"	38.1	25.4	50.8
1 1/2" x 1 1/4"	38.1	31.7	25.4
2" x 1"	50.8	25.4	102
2" x 1 1/4"	50.8	31.7	76.2
2" x 1 1/2"	50.8	38.1	50.8
2 1/2" x 1"	63.5	25.4	152.4
2 1/2" x 1 1/4"	63.5	31.7	127.0
2 1/2" x 1 1/2"	63.5	38.1	102.0
2 1/2" x 2"	63.5	50.8	50.8
3" x 1 1/4"	76.2	31.7	178.0
3" x 1 1/2"	76.2	38.1	152.4
3" x 2"	76.2	50.8	102.0
3" x 2 1/2"	76.2	63.5	50.8
4" x 1 1/2"	101.6	38.1	254.0
4" x 2"	101.6	50.8	203.0
4" x 2 1/2"	101.6	63.5	152.4
4" x 3"	101.6	76.2	102.0
5" x 2 1/2"	127.0	63.5	120.0
5" x 3"	127.0	76.2	96.0
5" x 4"	127.0	101.6	50.8
6" x 3"	152.4	76.2	145.0
6" x 4"	152.4	101.6	101.6
6" x 5"	152.4	127.0	50.8
8" x 4"	203.2	101.6	194.0
8" x 5"	203.2	127.0	145.0
8" x 6"	203.2	152.4	96.0
10" x 4"	254.0	101.6	287.0
10" x 6"	254.0	152.4	192.0
10" x 8"	254.0	203.2	96.0

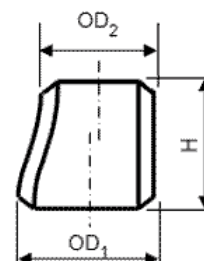
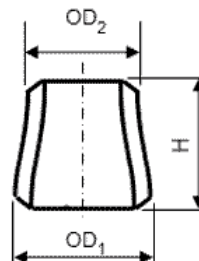
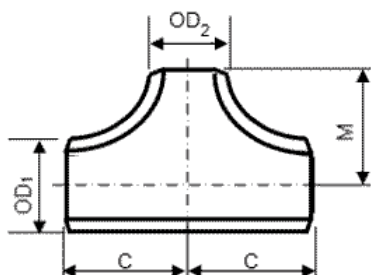


ESPEORES DE PARED

TEES DE REDUCCIÓN Y REDUCCIONES EXCENTRICAS Y CONCENTRICAS

TEES Y CASQUETES

- Acero inoxidable AISI 304
- Acero Inoxidable AISI 316
- Serie Sanitaria e Industrial



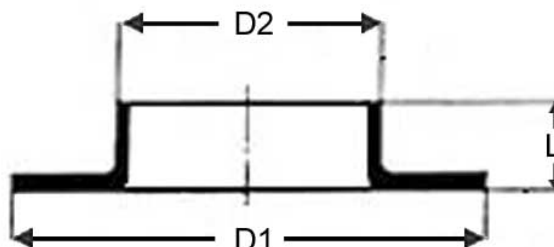
DN		Ø Ext.	PAREDES		
MM	IN		Sanitarias (MM)	Sch. 5S (MM)	Sch. 10S (MM)
15	1/2" x Ø Menor	21.3	1.25	1.65	2.11
20	3/4" x Ø Menor	26.7	1.25	1.65	2.11
25	1 x Ø Menor	33.4	1.25	1.65	2.77
32	1.1/4 x Ø Menor	42.2	1.25	1.65	2.77
40	1.1/2 x Ø Menor	48.3	1.25	1.65	2.77
50	2 x Ø Menor	60.3	1.50	1.65	2.77
65	2.1/2 x Ø Menor	73	1.50	2.11	3.05
80	3 x Ø Menor	88.9	1.50	2.11	3.05
90	3.1/2 x Ø Menor	101.6	1.50	2.11	3.05
100	4 x Ø Menor	114.3	2.00	2.11	3.05
125	5 x Ø Menor	141.3	2.00	2.77	3.40
150	6 x Ø Menor	168.3	2.00	2.77	3.40
200	8 x Ø Menor	219.1	3.00	2.77	3.76
250	10 x Ø Menor	273	3.00	3.40	4.19
300	12 x Ø Menor	323.8	3.00	3.96	4.57
350	14 x Ø Menor	355.6	3.00	3.96	4.78
400	16 x Ø Menor	406.4	3.00	4.19	4.78
450	18 x Ø Menor	457	3.00	4.19	4.78
500	20 x Ø Menor	508	3.00	4.78	5.54
550	22 x Ø Menor	559	3.00	4.78	5.54



SERIE INDUSTRIAL SCH. 5S / 10S - DIMENSIONES SEGÚN ANSI-B 16.9

COLLARES

- Acero inoxidable AISI 304
- Acero Inoxidable AISI 316
- Acabado Mate
- ANSI-B 16.9



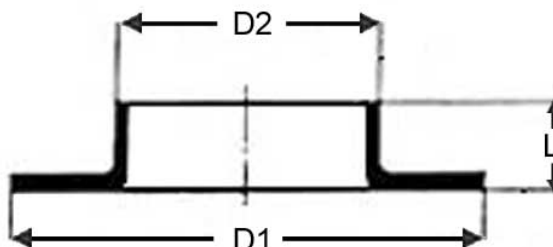
DN (Inch.)	D2 (MM)	D1 (MM)	L (MM)
1/2"	21.3	45	6
3/4"	26.9	58	7
1"	33.7	68	9
1.1/4"	42.4	78	12
1.1/2"	48.3	88	15
2"	60.3	102	13
2.1/2"	63.5	---	---
3"	88.9	138	14
4"	114.3	158	14
5"	141.3	188	15
6"	168.3	212	19
8"	219.1	268	23
10"	273.0	320	23



SERIE SANITARIA

COLLARES

- Acero inoxidable AISI 304
- Acero Inoxidable AISI 316
- Pulido Sanitario Interno y Externo



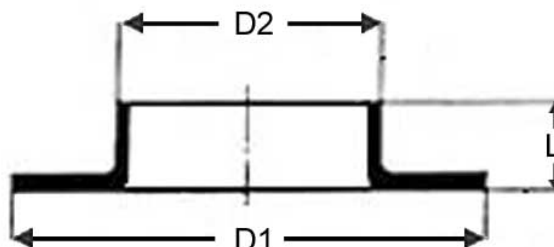
DN (Inch.)	D2 (MM)	L (MM)
1/2"	12.7	6
3/4"	19.0	7
1"	25.4	9
1.1/2"	30.8	15
2"	50.8	13
2.1/2"	63.5	---
3"	76.2	14
4"	101.8	14



ESPEORES DE PARED

COLLARES

- Acero inoxidable AISI 304
- Acero Inoxidable AISI 316
- Serie Sanitaria e Industrial



DN		Ø Ext.	PAREDES		
MM	IN		Sanitarias (MM)	Sch. 5S (MM)	Sch. 10S (MM)
15	1/2	21.3	1.25	1.65	2.11
20	3/4	26.7	1.25	1.65	2.11
25	1	33.4	1.25	1.65	2.77
32	1.1/4	42.2	1.25	1.65	2.77
40	1.1/2	48.3	1.25	1.65	2.77
50	2	60.3	1.50	1.65	2.77
65	2.1/2	73	1.50	2.11	3.05
80	3	88.9	1.50	2.11	3.05
90	3.1/2	101.6	1.50	2.11	3.05
100	4	114.3	2.00	2.11	3.05
125	5	141.3	2.00	2.77	3.40
150	6	168.3	2.00	2.77	3.40
200	8	219.1	3.00	2.77	3.76
250	10	273	3.00	3.40	4.19